

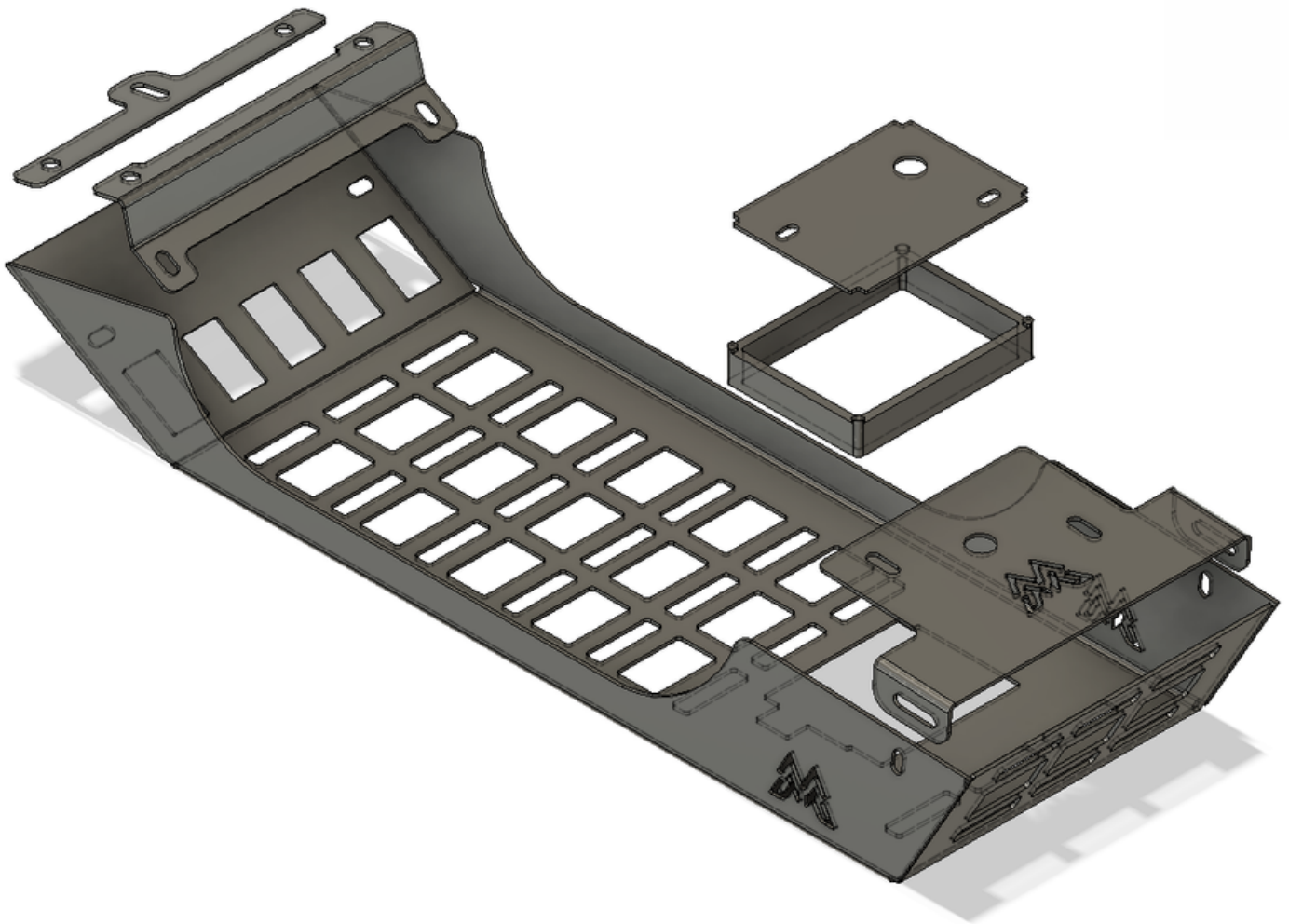


LEGENDEX ROGUE M.O.L.L.E

PRODUCT CODE: MR-SETCOL-R-1

PRODUCT CODE: MR-COL-R-1-KIT

Holden Colorado 2012-2020 Roof Console Kit (Without Sunglass Holder)



CHECK YOUR PACK LIST

Once you have unpacked the system from the box make sure you have all parts that are listed on the packing list below.

COMPONENTS

1 x MR-SETCOL-R-1 M.O.L.L.E | Roof Console Holden Colorado RG (Without Sunglass Pocket)

1 x MR-SETCOL-R-1 M.O.L.L.E | Roof Console Holden Colorado RG (Without Sunglass Pocket)

10 x CON-MOLLE-SCREW-SSBMS612 | SSBMS304612 - S304 Button Socket Screw M6x12

10 x CON-MOLLE-NUT-NFSMS6 | NFSMS3046 - S304 Flange Serrated Hex Nut M6

2 x CON-MOLLE-NUT-NFSMS4 | NFSMS3044 - S304 Flange Serrated Hex Nut M4

2 x CON-MOLLE-SCREW-M4x30-BUTTONHEAD | S304 -- M4x30-BUTTONHEAD SCREW

2 x WMS3044 | M4X9 SS304 Washer

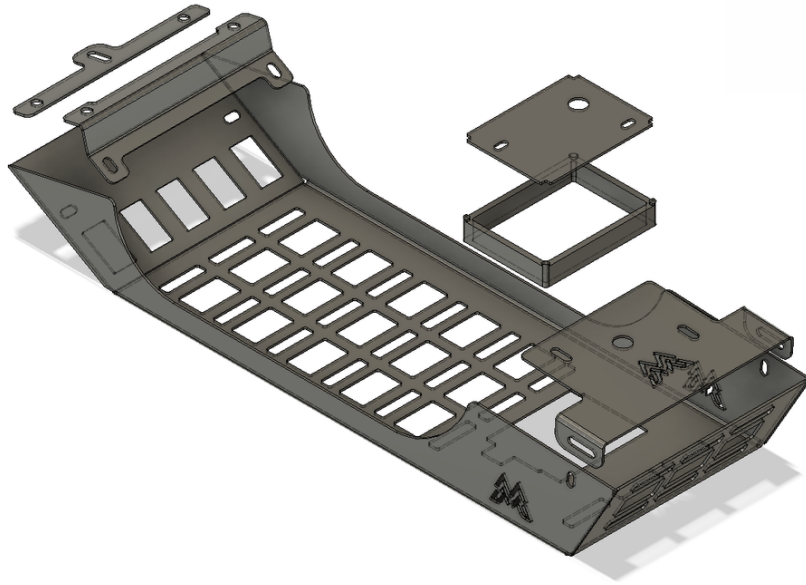
4 x 56170 | 4.3MM RING TERMINAL RED

6 x 56154 | Cable Joiner Red

0.7 x 5833-30WYB | 10A 3MM 3 CORE CABLE White, Yellow, Brown

TOOLS REQUIRED

4mm Allen Key
Phillips Head No2 Screw Driver
6.5mm Drill Bit
Wire Cutter and Stripper
Crimper



IMPORTANT

- Wear protective clothing including eye wear.
- Clean Hands work best.
- Disconnect the Battery to ensure you don't earth out. Or Use an Auto-electrician.

INSTALLING YOUR NEW ROGUE M.O.L.L.E

PRODUCT CODE: MR-COL-R-1-KIT

STEP 1

Start with double-checking all the correct components and gathering the tools required.



STEP 2

Remove front interior light from roof lining.



STEP 5

Loose fit the front console bracket roughly 15mm from the centre edge. Pierce the roof lining through the internal bracket fitted earlier.



STEP 3

Fit the "T Bracket" to the inside of the roof lining as shown below.

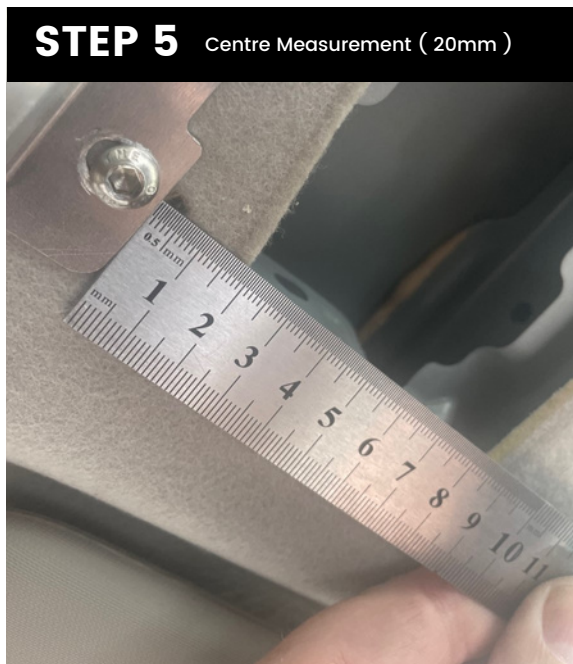


STEP 5

 Centre Measurement (15mm)

STEP 4

Loose Fit the M6 bolt and has head nut to the factor tab as shown.



STEP 5

 Centre Measurement (20mm)

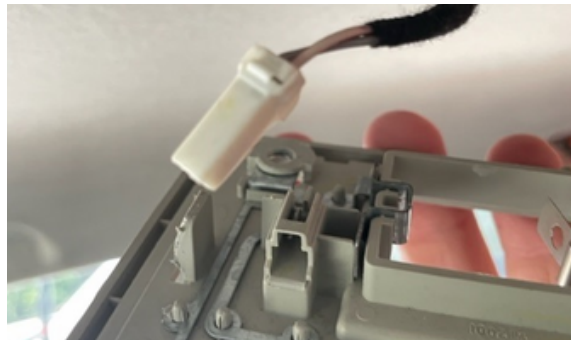
INSTALLING YOUR NEW ROGUE M.O.L.L.E

PRODUCT CODE: MR-COL-R-1-KIT



STEP 6

Once the front bracket is fitted to you can re-install the interior light making sure the bracket is as close as possible to the edge of the interior light.



STEP 9

Carefully unplug the interior light from wiring harness.



STEP 7

Remove the rear interior light cover.



STEP 8

Remove the interior light by unscrewing the bolts.



STEP 10

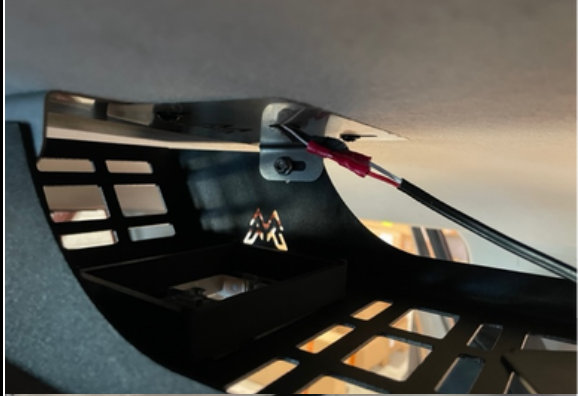
Install rear bracket with the mounting screws supplied, be sure to poke the extended wiring harness through the bracket.

INSTALLING YOUR NEW ROGUE M.O.L.L.E

PRODUCT CODE: MR-COL-R-1-KIT

STEP 11

To fit the interior light the factory plug needs to be cut and extended. To complete this job in your pack you should have:
3mm Three Core cable 500mm
Red Cable Joiners (you can solder join of preferred)
Res Eyelet Terminals
NB: Before starting this section ensure you battery is disconnected



STEP 12

Cut factory plug (one wire at a time) from wiring harness. Be sure to leave enough cable at both ends for the joiners. Split the 3 core cable a strip the ends. You will need to match colour of 2 wires from one end to the other when adding the plug. For the third wire crimp one of 4.2mm Eyelets at either end for the earth cable.



STEP 13

Using the red Joiners match the same wires from the plug end. Please ensure the same wire is matched at both ends or you WILL have an electrical short. Add the eyelet of one end to the screws when fitting the top bracket.

INSTALLING YOUR NEW ROGUE M.O.L.L.E

PRODUCT CODE: MR-COL-R-1-KIT

STEP 14

To fit the interior light the factory plug needs to be cut and extended.

To complete this job in your pack you should have:

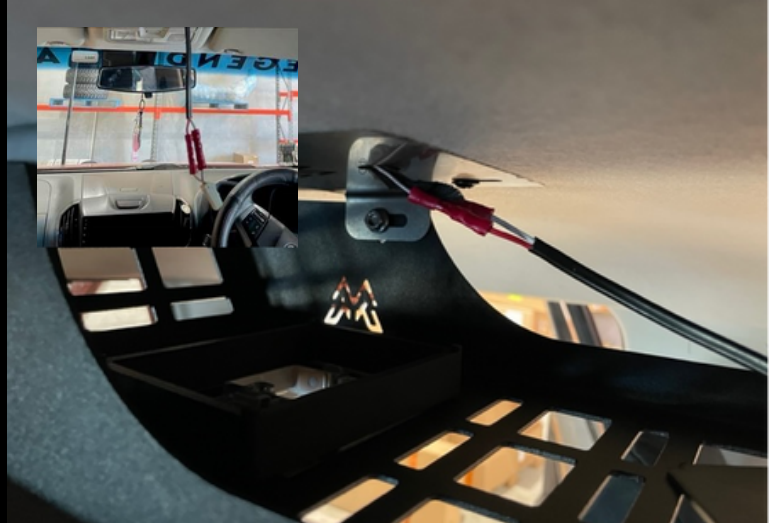
3mm Three Core cable 500mm

Red Cable Joiners (you can solder join of preferred)

Res Eyelet Terminals

NB: Before starting this section

ensure you battery is disconnected



STEP 15

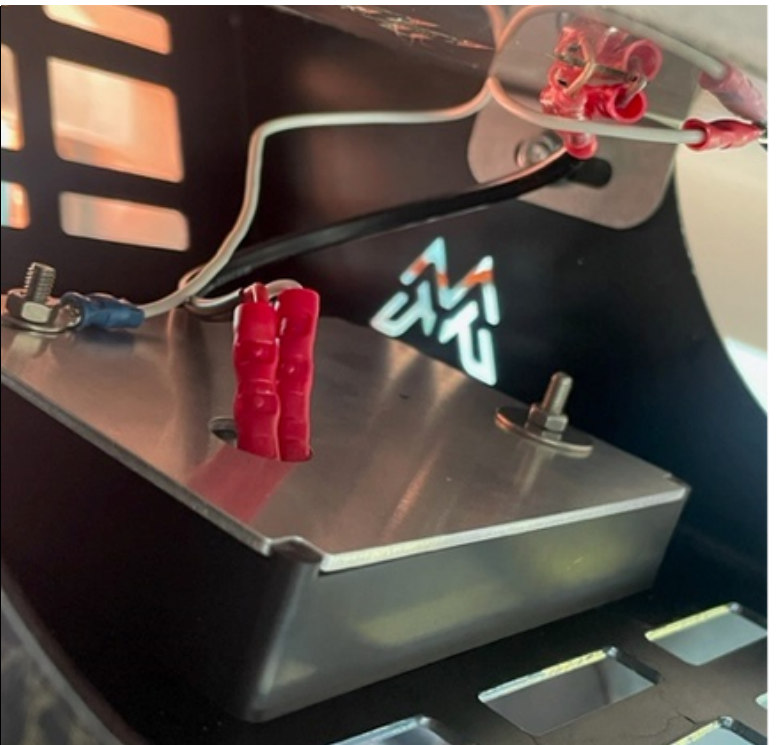
Feed the extended cable through the aluminium plate and spacer box, Plug the extended harness into the interior light and fit the factory interior light (we recommend a little masking tape to hold the light in place while doing the next steps.)



STEP 16

Fix the interior light to the mounting mounting plate using the M4X30mm bolts and washer.

Fit the third cable with eyelet to mounting screw close to the cable hole. Once the interior light is secure you can finished tightening the roof console bolts.



INSTALLING YOUR NEW ROGUE M.O.L.L.E

PRODUCT CODE: MR-COL-R-1-KIT

STEP 17

Plug the harness back into interior light and loosely fit the rear bracket to the body of the console.

NB: some vehicles may require the harness to be extended to reach the new interior light location.



STEP 18

Loosely fit the body of the front bracket.



STEP 19

Align the body to the desired height from the roof lining and tighten all bolts.

Refit battery cable and test interior light function.



STEP 20

Align the body of the console into your desired position and tighten the bolts.



