

# LEGENDEX ROGUE M.O.L.L.E

MR-SETHLX-R-1

Hilux N70 Roof Console

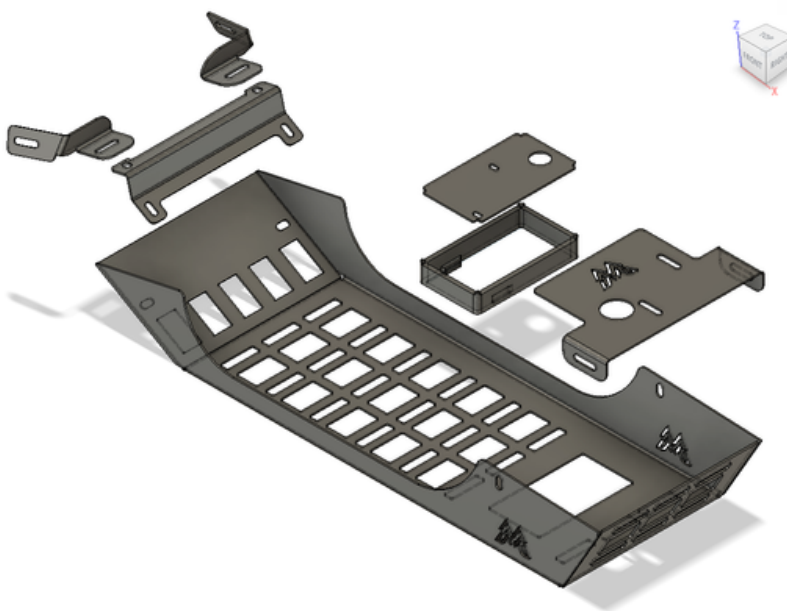


## CHECK YOUR PACK LIST

Once you have unpacked the system from the box make sure you have all parts that are listed on the packing list below.

## COMPONENTS

1 x	MR-SETHLX-R-1	N70 HILUX 4WD ROOF CONSOLE   ROGUE MOLLE
1 x	MR-HLX-R-1-KIT	N70 HILUX ROOF CONSOLE EURO-FLO KIT
10 x	CON-MOLLE-SCREW-M6x12-BUTTONHEAD	M6x12 BUTTONHEAD SCREW
10x	CON-MOLLE-NUT-NFSMS6	NFSMS3046 - S304 FLANGE SERRATED HEX NUT M6
4 x	CON-MOLLE- SCREW-M4X16-BUTTONHEAD	S304 - M4X16 - BUTTONHEAD SCREW
4 x	CON-MOLLE-NUT-NFSMS4	NFSMS3044 - S304 FLANGE SERRATED HEYX NUT M4
1 x	MR-TOY-H-1	MR WIRING HARNESS
3x	CBP75	CHAMPION LONG CAPTIVE NUT M6x1mm
4 x	CON-MOLLE- SCREW-M6x30-BUTTONHEAD	S304 - M6X30 - BUTTONHEAD SCREW
10x	WMS3046	M6x12.5x1.2 SS304 WASHER



## TOOLS REQUIRED

4mm Allen Key  
 Phillips Head No2 Screw Driver  
 6.5mm Drill Bit  
 Wire Cutter and Stripper  
 Crimper

## IMPORTANT

- Wear protective clothing including eye wear.
- Clean Hands work best.
- Disconnect the Battery to ensure you don't earth out. Or Use an Auto-electrician.

# INSTALLING YOUR NEW ROGUE M.O.L.L.E

PART CODE: MR-SETHLX-R-1

## STEP 1

Start with double-checking all the correct components and gathering the tools required.

## STEP 2

Remove front upper interior light & remove screws from sunglasses holder



## STEP 3

Drop down plastic assemble and unplug wiring



## STEP 4

Identify left and right hand upper brackets



## STEP 5

Mark and drill a 7mm hole in the metal brace

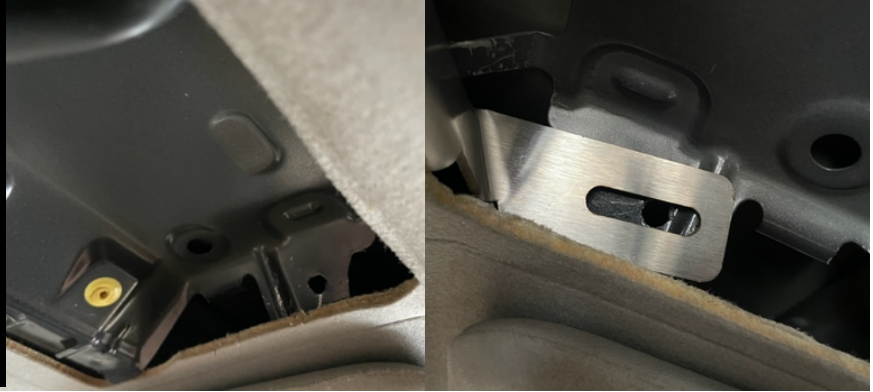


# INSTALLING YOUR NEW ROGUE M.O.L.L.E

PART CODE: MR-SETHLX-R-1

## STEP 6

Insert Speed-nut clips



## STEP 7

Loosely fit bracket with 6mm alan key bolt



## STEP 8

Place front console bracket to the edge of the roof lining central the vehicle. Push through roof lining creating a hole



## STEP 9

Loosely fit bracket with 6mm alan key bolt



# INSTALLING YOUR NEW ROGUE M.O.L.L.E

PART CODE: MR-SETHLX-R-1

## STEP 10

Fit the front bolts to a "firm position"



## STEP 12

Refit the interior light wiring and refit the interior light console



## STEP 13

Fit the front bolts to a "firm position"

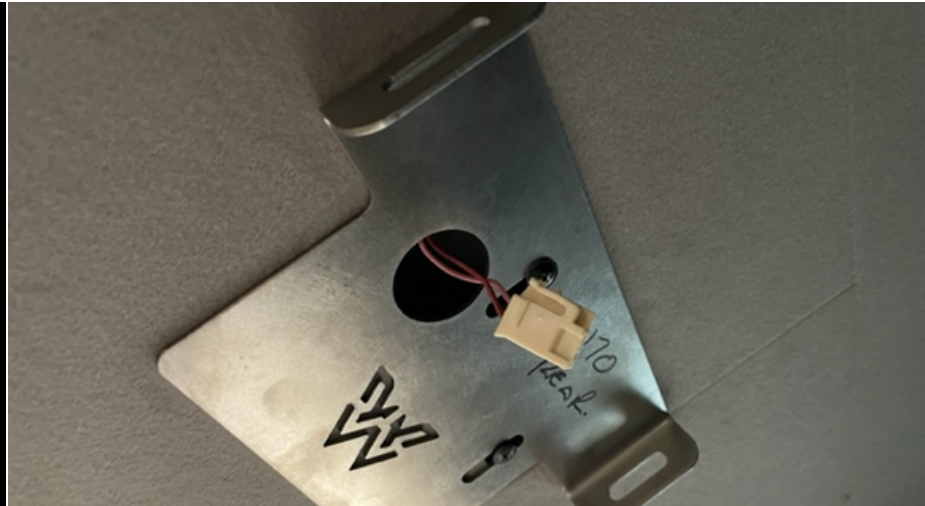


# INSTALLING YOUR NEW ROGUE M.O.L.L.E

PART CODE: MR-SETHLX-R-1

## STEP 14

Using the factory screws fit the rear bracket feeding the harness through



## STEP 15

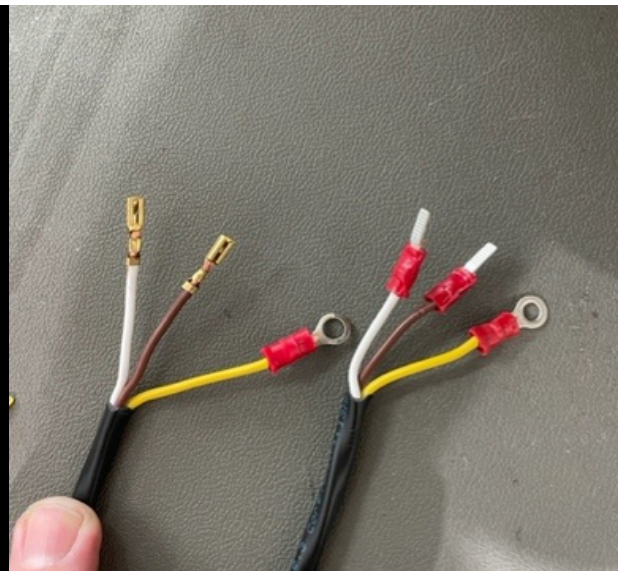
Create wiring harness.

2 Options: you can use the wiring supplied and terminals to create a "patch harness" (basic 12V tools) or you can cut the factory plug (recommended) and use the wiring supplied to Extend the factory plug. More suited to those with basic 12V knowledge.



## STEP 16

For a patch loom crimp the female blade terminal to one end with a loop terminal with the male blade terminals on the opposite end with a loop terminal. Be sure to match the wiring colour on either end. You can have a shorter or longer harness depending on your final finish. A longer harness is easier to work with but a shorter harness is a neater finish.



## INSTALLING YOUR NEW ROGUE M.O.L.L.E

PART CODE: MR-SETHLX-R-1



It is recommended the factory plug is cut and the harness used to extend the wiring, be sure to match the colours.  
Fit the eyelet (earth extension) the bracket screw.

### STEP 17

Loose fit the console body to the brackets and Feed the wiring through the laser cut plate and spacer as above.



### STEP 18

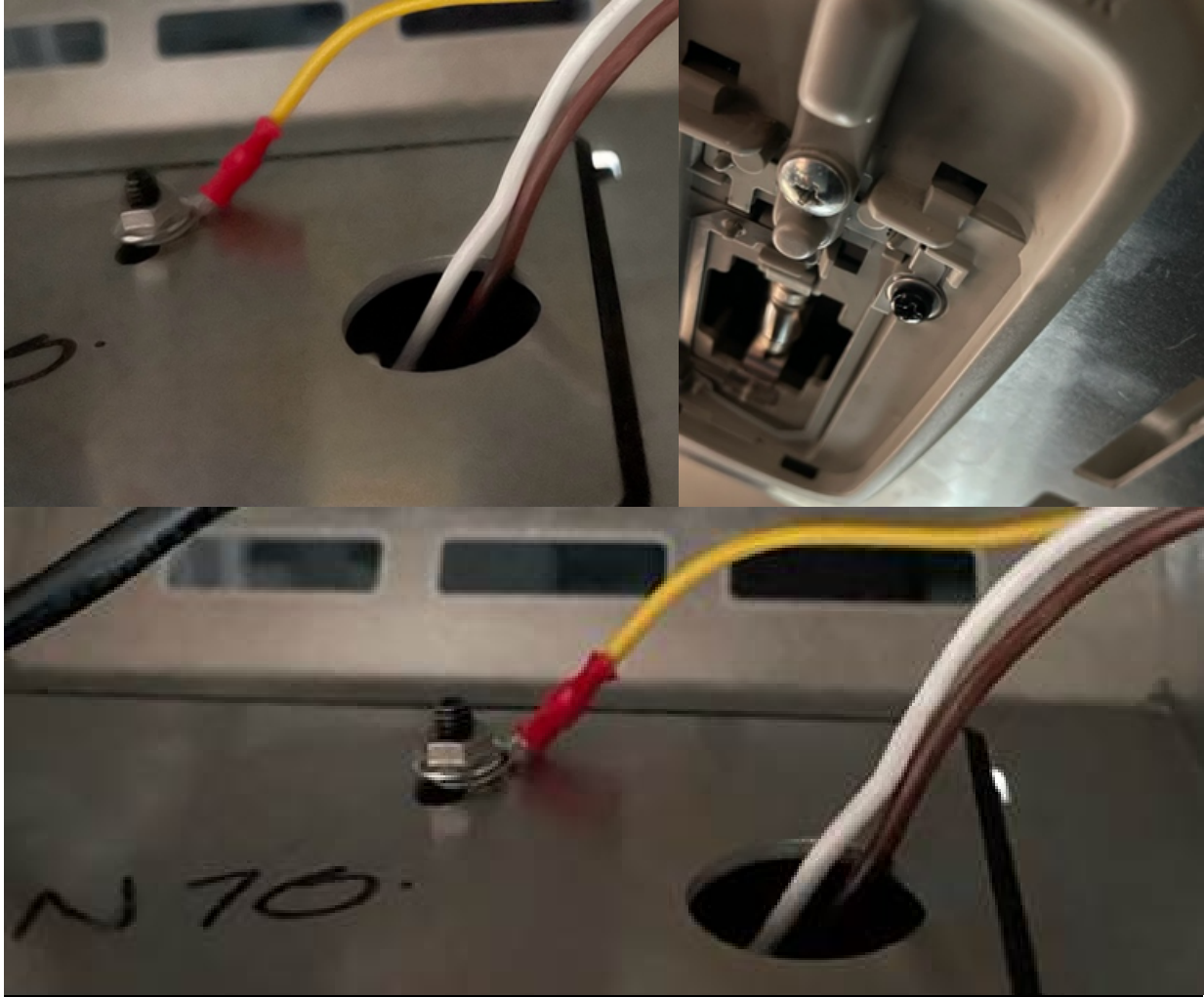
Using the extended 4mm bolts supplied fit the interior light, feeding the bolt through to the laser cut plate



## INSTALLING YOUR NEW ROGUE M.O.L.L.E

---

PART CODE: MR-SETHLX-R-1



### STEP 19

Fit the earth cable to the bolt to create a complete earth circuit.  
Check the alignment of the body to the roof line and tighten bolts as required.



