

**BULL BAR RANGE**

# ◆ LEGENDEX ◆



## ***FITTING INSTRUCTIONS***

**2021 TOYOTA HILUX**

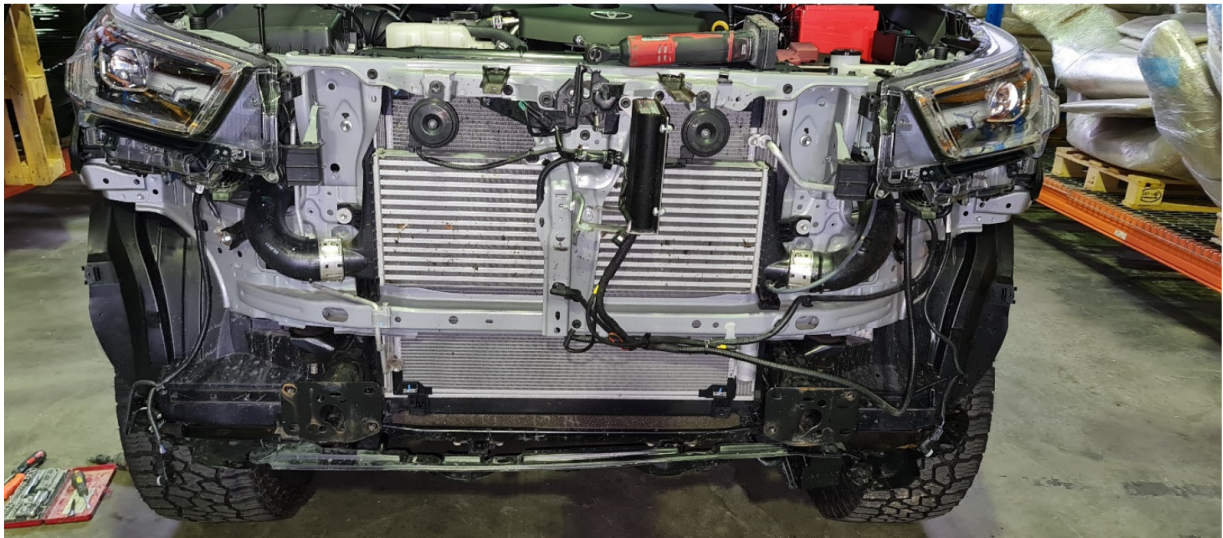
[sales@legendex.com.au](mailto:sales@legendex.com.au) | (07) 3203 2333 | [legendex.com.au](http://legendex.com.au)

# FITTING INSTRUCTIONS

---

SEE LAST PAGE FOR LOOP INSTALL INSTRUCTIONS

- 1** Unwrap the bullbar carefully to avoid sharp objects damaging paint, carefully inspect the bar for any damage caused in transit, We will not accept any damage claim once installation has begun, its best the lay bullbar on a stand or soft surface. Unbolt the cradle from the bullbar
- 2** Remove all front bumper and disconnect the sensor Remove side black retainers under headlights
- 3** Remove the grill



- 4** Remove the air dams or cut to suit bar
- 5** Remove the 2 blue sensors with razor blade. Note the orientation as you need to glue into new bulbar
- 6** Drill out factory holes in chassis to accept 13mm bolt then install cradle
- 7** Install recovery points before you put bullbar on.

# FITTING INSTRUCTIONS

---

- 8** GRILLE – You need to cut the grille to suit bulbar profile. We suggest you trim grille as below, **BELOW** the red line then put back on the car and put bulbar on then you can mark the grille profile and cut to suit

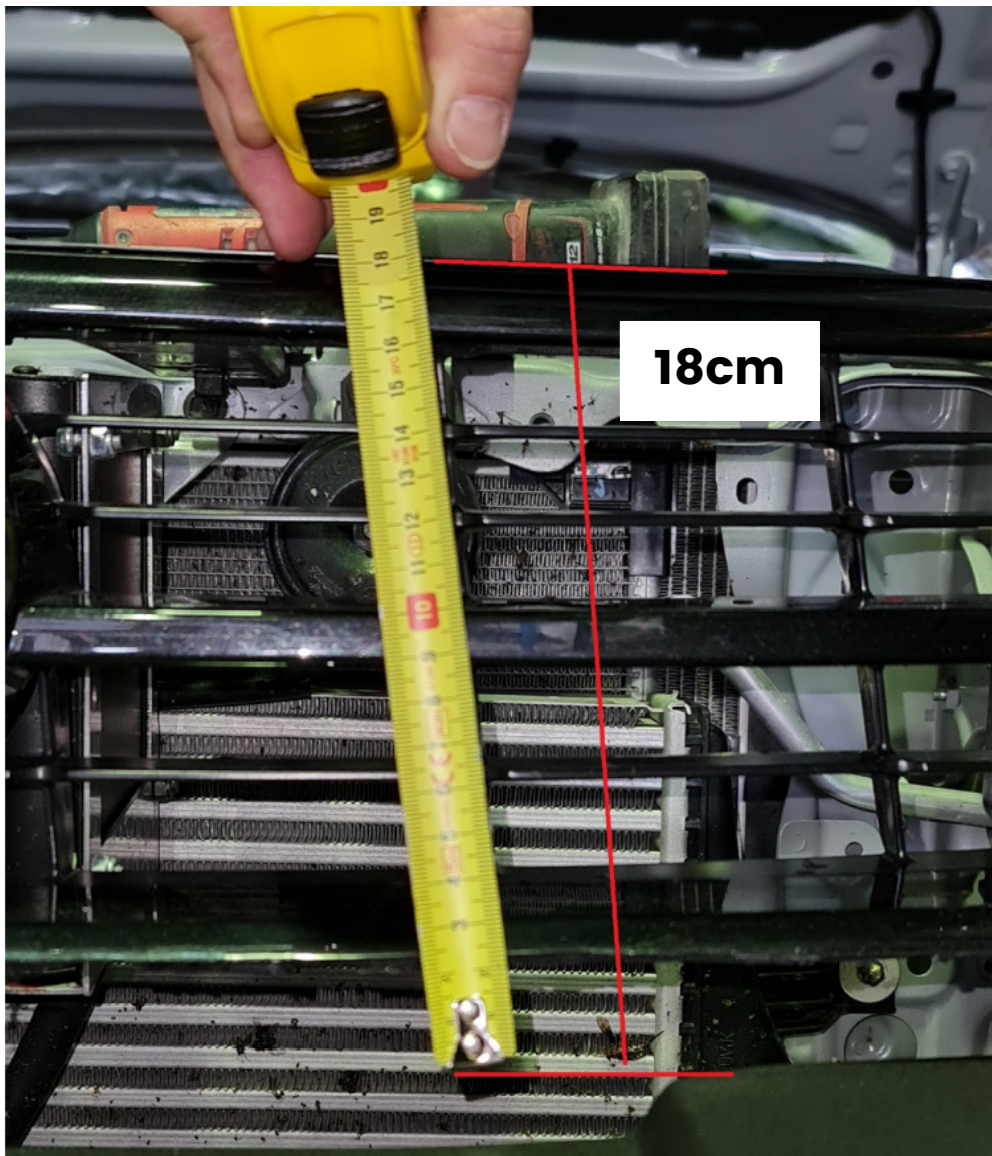


If you follow the ribbing on the grille it should be approx. 18cm from top to cut line. Its not a straight cut across the grille.

**YOU MUST CHECK CUT LINE WITH BAR HELD IN PLACE**

# FITTING INSTRUCTIONS

---



- 9** Install the bulbar and the headlight trims.
- 10** Install bash plate after you have aligned and tighten all bolts.
- 11** YOU MUST MAINTAIN SUFFICIENT GAP TO AVOID DAMAGE TO GAURDS.  
10-15mm MIN

# FITTING INSTRUCTIONS

---

**12** Mark and cut inner guards to suit bulbar profile

**13** You must install a minimum of 3 cable ties to hold grill back in place. 1 in the middle and 1 on each end, you wrap the cable tie around the mesh of grill and back to nearest support.

We suggest super glue to hold sensors in

## LOOP INSTRUCTIONS

---

IT IS CRITICAL THE LOOP BE INSTALLED PROPERLY

SEE IMAGES BELOW YOU CAN PURCHASE SOME 2MM RUBBER AND CUT TO SUIT AND YOU MUST AT MINIMUM SEAL THE WEEP HOLE WITH SILICON AND SMALL BEAD TO CREATE A SEAL BETWEEN THE BAR AND LOOP. DO NOT OVER TIGHTEN WHILE GLUE IS DRYING.



# NOTES

---

---

---

---

---

---

---

---

---

---

---

---

---



# ***FITTING INSTRUCTIONS***

**2021 TOYOTA HILUX**

[legendex.com.au](http://legendex.com.au) | (07) 3203 2333 | [sales@legendex.com.au](mailto:sales@legendex.com.au)